

1147412205

Switch-off valve



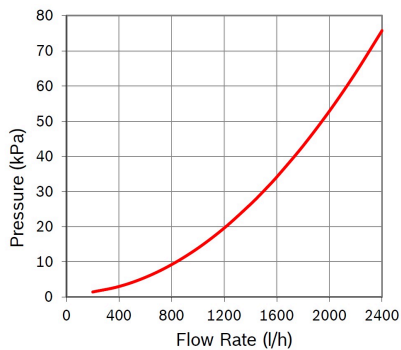
For reliable control of the coolant flow: Bosch solenoid valves are designed with decades of experience in thermal, fluid and energy circuits. Due to their robustness and design optimized for volume flow, they have proven themselves millions of times worldwide in 24V and 12V applications. This includes applications in heating and cooling of electronics or battery cells in electric vehicles.

[Contact us!](#)



Product Specification

Technical data and performance curve



Nominal Voltage (V): 24

Pressure drop (kPa): 35

Flow rate (l/h): 1500

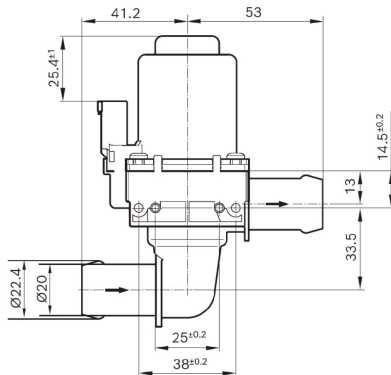
Switchable Pressure difference (kPa): 150

Resistance (Ω): 48

Product images and pictures are for demonstration purposes only, the actual product may differ from the picture shown. The quotation drawing is binding.

Robert Bosch GmbH, Auf der Breit 4, 76227 Karlsruhe, Germany www.bosch-ibusiness.com

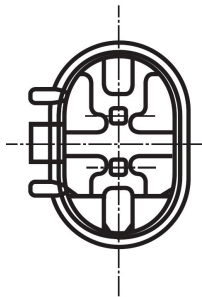
Dimensions



Please contact us if you need a 3d model

[Contact](#)

Connector



Housing:

1-967644-1

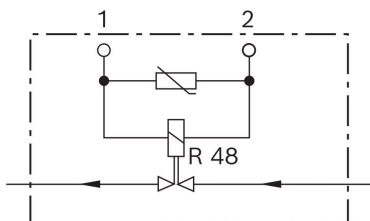
Contact:

5-965906-6

Single wire seal:

0-967067-1

Wiring diagram



Resistance (Ω)

48

Öffnungsrichtung

stromlos geöffnet

Downloads

You may also be interested in:

To Product family: [Catalogue](#)