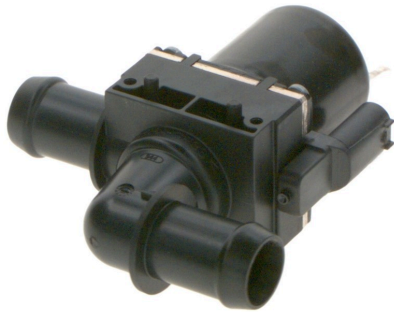


1147412208

# Switch-off valve



For reliable control of the coolant flow: Bosch solenoid valves are designed with decades of experience in thermal, fluid and energy circuits. Due to their robustness and design optimized for volume flow, they have proven themselves millions of times worldwide in 24V and 12V applications. This includes applications in heating and cooling of electronics or battery cells in electric vehicles.

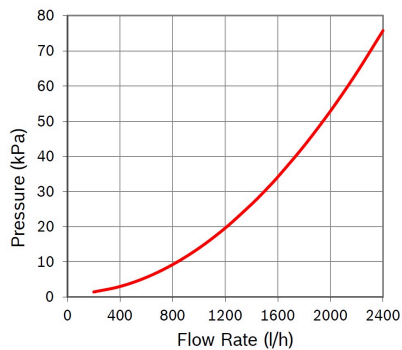
[Contact us!](#)



## Product Specification

---

### Technical data and performance curve



**Nominal Voltage (V):** 12

**Pressure drop (kPa):** 35

**Flow rate (l/h):** 1500

**Switchable Pressure difference (kPa):** 150

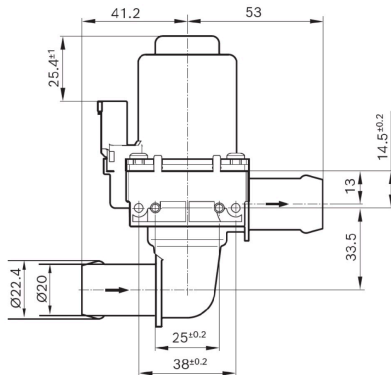
**Resistance ( $\Omega$ ):** 12,4

Product images and pictures are for demonstration purposes only, the actual product may differ from the picture shown. The quotation drawing is binding.

Robert Bosch GmbH, Auf der Breit 4, 76227 Karlsruhe, Germany [www.bosch-ibusiness.com](http://www.bosch-ibusiness.com)



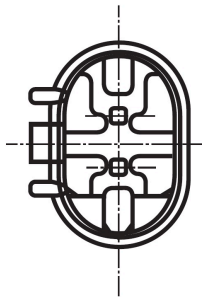
## Dimensions



Please contact us if you need a 3d model

[Contact](#)

## Connector



### Housing:

1-967644-1

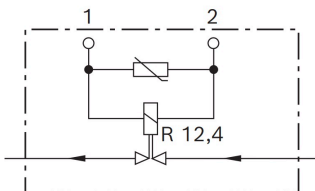
### Contact:

5-965906-6

### Single wire seal:

0-967067-1

## Wiring diagram



### Resistance ( $\Omega$ )

12,4

### Öffnungsrichtung

stromlos geöffnet



---

## Downloads

You may also be interested in:

To Product family: [Catalogue](#)

