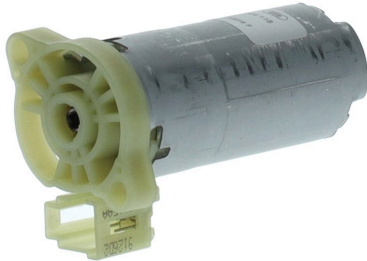


0390204118

NSA with hollow shaft on both sides



Ensure reliable performance in a compact design: The Bosch gearless motors excel at durability, robustness and high speeds at the lowest noise levels. Decades of experience in manufacturing of electric motors have led to the latest Bosch gearless motor generation which has proven million fold. They can be used for industrial applications in 12 or 24V.

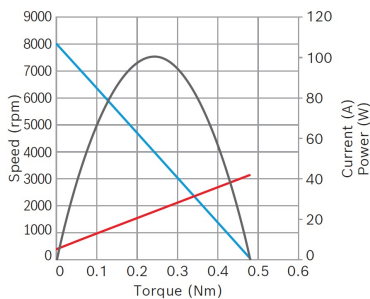
- **Degree of protection:** IP 50
- **Operating mode:** S3
- **Rotation direction:** Left and right rotation
- **Nominal voltage:** 12 V



[Contact us!](#)

Product Specification

Technical data and performance curve



Nominal power (W): 37,7

Nominal current (A): 9

Nominal speed (rpm): 7200

Nominal torque (Nm): 0,05

Stall torque (Nm): 0,43

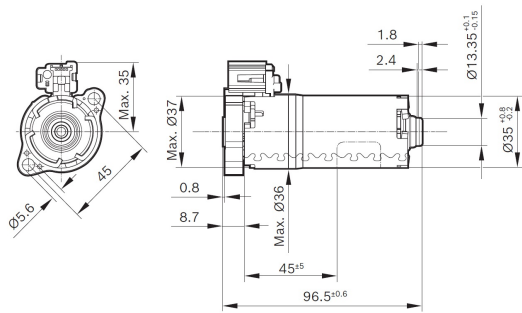
Hall Sensor: Yes

Product images and pictures are for demonstration purposes only, the actual product may differ from the picture shown. The quotation drawing is binding.

Robert Bosch GmbH, Auf der Breit 4, 76227 Karlsruhe, Germany www.bosch-ibusiness.com



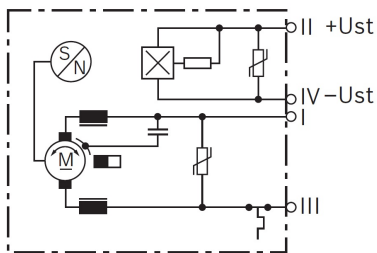
Dimensions



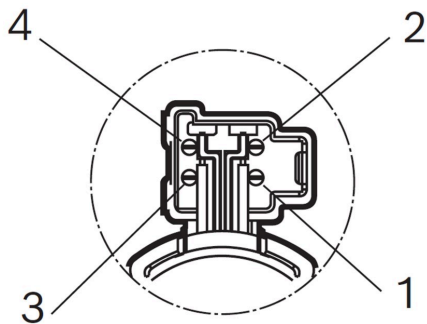
Please contact us if you need a 3d model

[Contact](#)

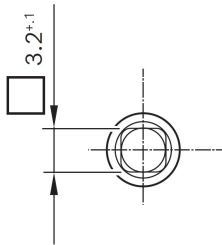
Circuit diagram



Connector



Drive interface



Features and benefits

- Different power densities available: To meet customer requirements in terms of efficiency
- High standards in production and testing: For proven quality and a long service life
- Production in line with the original automotive quality guidelines: For proven quality, high reliability and a long service life
- Available hall sensor: For positioning or direction of speed feedback

Downloads

You may also be interested in:

To Product family: [Catalogue](#)

