

0132801141

VMC Electric Actuator



For performance at lowest noise levels und minimum mounting space: The Bosch compact actuators excel by robustness, durability and precise positioning. Decades of experience in manufacturing of electric motors have led to the current design of the Bosch compact actuators VMC which have proven themselves millions of times on the road. They can be used for a wide range of industrial applications in 12 or 24 volt.

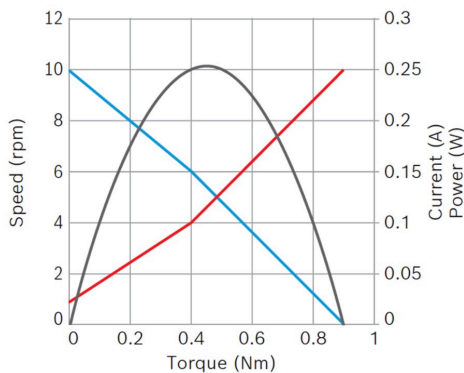
- **Operating mode:** S2
- **Rotation direction:** Left and right rotation
- **Nominal voltage:** 24 V



[Contact us!](#)

Product Specification

Technical data and performance curve



Nominal power (W): 0,3

Nominal current (A): 0,10

Nominal speed (rpm): 6

Nominal torque (Nm): 0,4

Stall torque (Nm): 0,9

Transmission ratio: 405:1

Degree of protection: IP 54

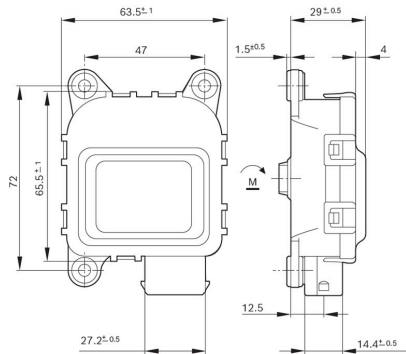
Signal potentiometer: Yes

Product images and pictures are for demonstration purposes only, the actual product may differ from the picture shown. The quotation drawing is binding.

Robert Bosch GmbH, Auf der Breit 4, 76227 Karlsruhe, Germany www.bosch-ibusiness.com



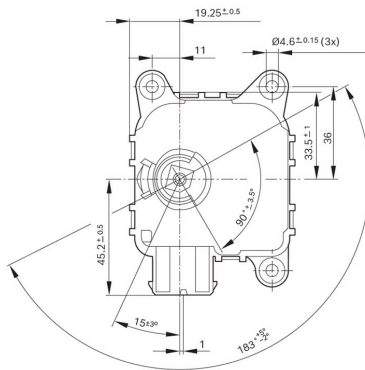
Dimensions



Please contact us if you need a 3d model

[Contact](#)

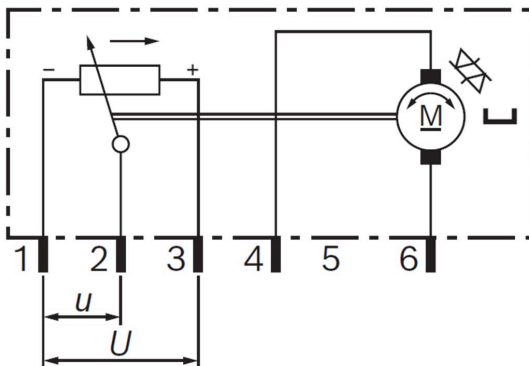
Dimensions



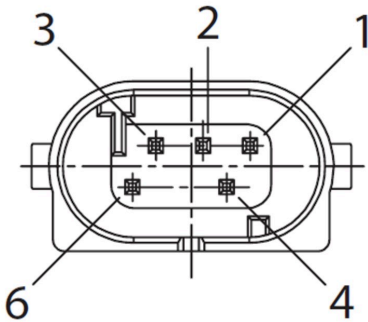
Please contact us if you need a 3d model

[Contact](#)

Circuit diagram



Connector



Housing:

RB-1 928 403 095

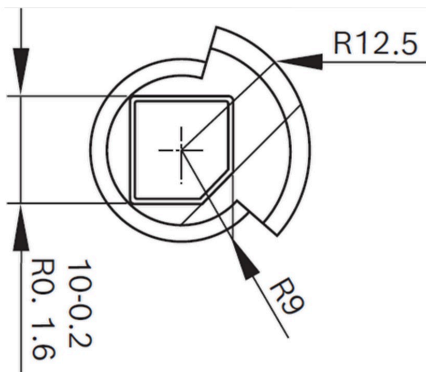
Locker:

-

PIN:

928999-1

Drive interface



Features and benefits

- Production in line with the original automotive quality guidelines: For proven quality, high reliability and a long service life
- Compact actuator with non reversible gear: To keep the position fixed while not energized
- Comprehensive range for 12/24-volt applications, available with potentiometers in different resolutions: for position feedback within the control loop.
- Operating mode S2 or S3: Suitable for short-term or intermittent operation

Downloads

You may also be interested in:

To Product family: [Catalogue](#)

Product images and pictures are for demonstration purposes only, the actual product may differ from the picture shown. The quotation drawing is binding.

Robert Bosch GmbH, Auf der Breit 4, 76227 Karlsruhe, Germany www.bosch-ibusiness.com

