

0390249102

WDD2 Direct wiper drive



Bosch WDD2 Wiper direct Drive for Off Highway Vehicles.

The WDD2 MultiV is the first BOSCH motor to be powered by either 12V or 24V, offering a powerful reversing motor without linkage and an extended wiping angle of up to 345°. This compact drive ensures a long operating life and high reliability with up to 1.5 million wipe cycles.

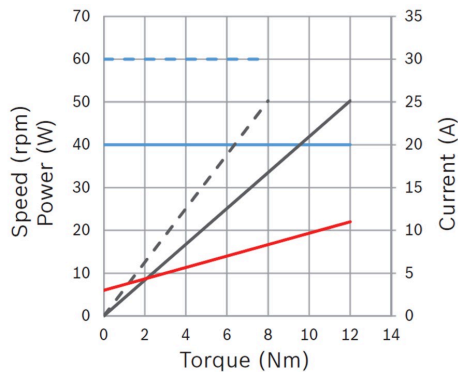
- **Degree of protection:** IP 6K7
- **Wiping angle:** Up to 350°
- **LIN/CAN (2.0) / analog communication**
- **Nominal voltage:** Compatible for 12 V und 24 V
- **Adjustable speed, angle and torque**



[Contact us!](#)

Product Specification

Technical data and performance curve



Nominal power (W): 50

Nominal current (A): 8,3

Nominal speed (rpm): 60 / 40

Nominal torque (Nm): 8 / 12

Stall torque (Nm): 34

Transmission ratio: 76:1

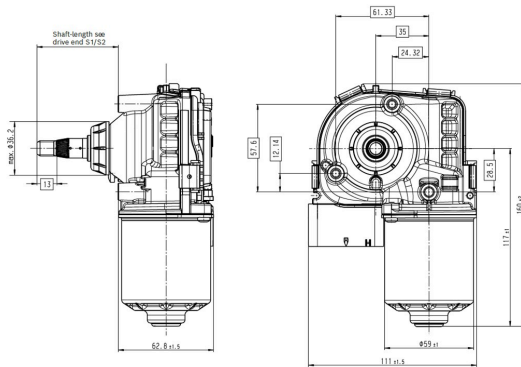
Signal-LIN: LIN/CAN

Product images and pictures are for demonstration purposes only, the actual product may differ from the picture shown. The quotation drawing is binding.

Robert Bosch GmbH, Auf der Breit 4, 76227 Karlsruhe, Germany www.bosch-ibusiness.com



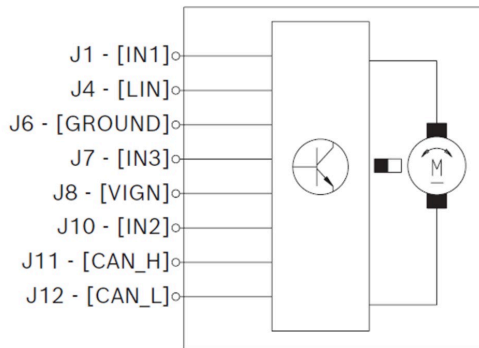
Dimensions



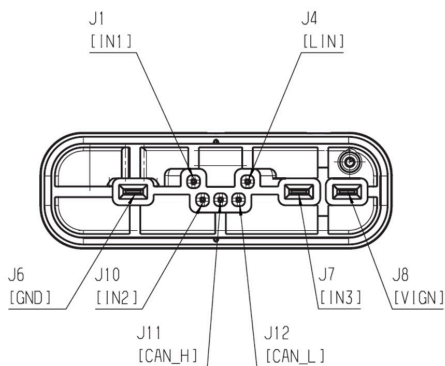
Please contact us if you need a 3d model

[Contact](#)

Circuit diagram



Connector



Housing:

MOLEX

variant 31034-5016

Locker:

-

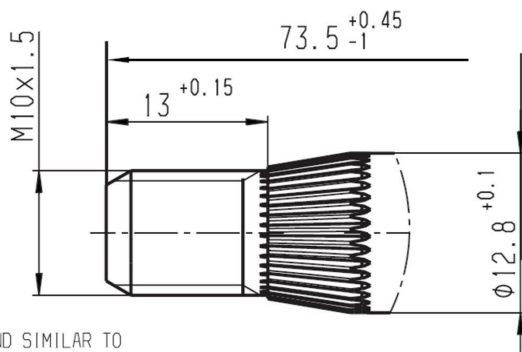
PIN:

1393367-1,

1326032-6,



Drive interface



SHAFT END SIMILAR TO
DIN 72783-A2

Features and benefits

- Models with integrated electronics: Suitable for a wide range of applications and depending on model equipped with bus communication digital/LIN/CAN as well as teach-in functions
- Rotation in both directions: For using the motor as a drive or as an actuator
- Production in line with the original automotive quality guidelines: For proven quality, high reliability and a long service life
- Operating mode S1: Suitable for continuous operation

Downloads

You may also be interested in:

To Product family: [Catalogue](#)

