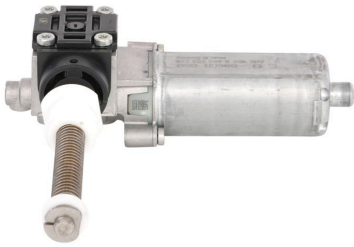


0390203229

AHC-RS Spindle drive

Bosch DC motors with spindle drive are the ideal solution for industrial applications where space is at a premium. The linear drives with high power density are characterized by robustness, durability and precise positioning.



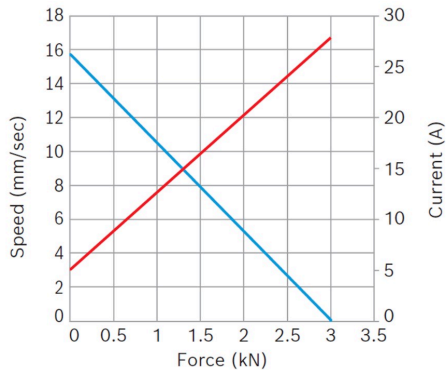
- **Degree of protection:** IP 50
- **Operating mode:** S2 - S3
- **Linear movement**
- **Nominal voltage:** 12 V

[Contact us!](#)



Product information

Technical data and characteristic curve



Nominal power (W): 6,5

Nominal current (A): 9

Nominal force (kN): 0,5

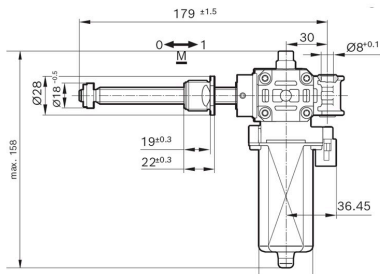
Maximum force (kN): 3

Speed (mm/s): 13

Stroke (mm): 81,6

Hall Sensor: Ja

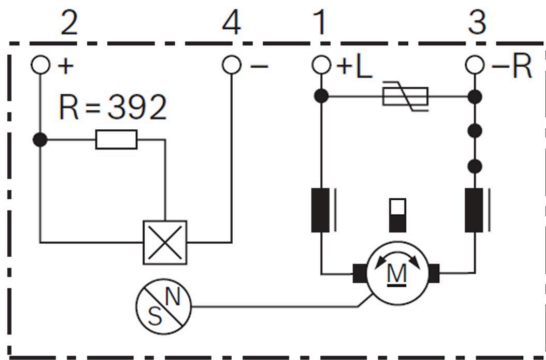
Dimensions



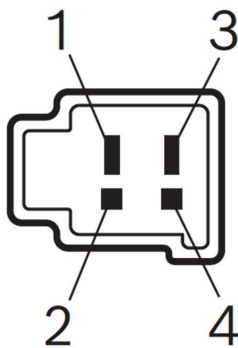
Please contact us if you would like a 3D model

[Contact us](#)

Circuit diagram



Connector



Housing:

FCI 3 023 59 01

Locking:

-

PIN:

TE MQS PIN Contact 6-928918-1

Pin 0.63 x 0.63 mm / TE MPQ

Pin 2.8 x 0.63 968137-2 2.80 mm

Features and benefits

- Linear positioning system: for precise adjustment tasks
- Production in accordance with high automotive quality guidelines: for proven quality, high reliability and a long service life
- Also available with Hall sensor: for position and direction of rotation detection
- Operating mode S2 or S3: suitable for short-term or intermittent operation

Downloads

You might also be interested in:

To product family: [Catalog](#)